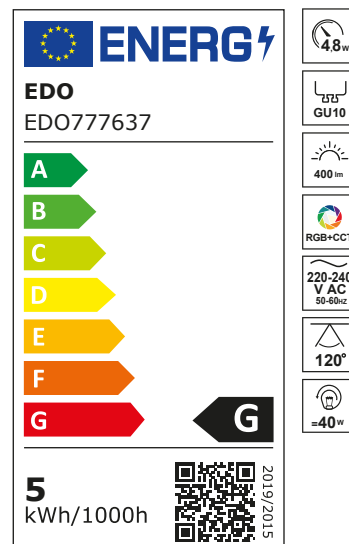


# RUVA SMART LED

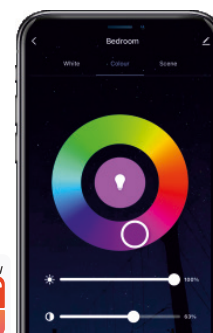
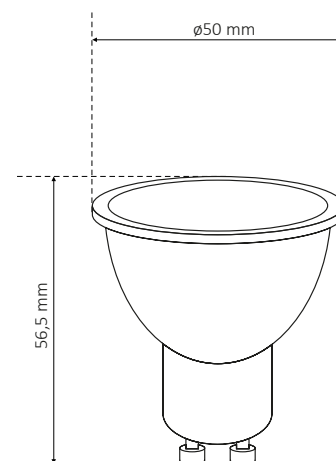
EDO solutions

EDO777637



## Light source RUVA SMART LED 4,8 W

SPECIFICATIONS	EDO777637
Source Type:	LED
Cap type:	GU10
Dimensions [mm]:	
-diameter:	ø50 mm
-height:	56,5 mm
Lampshade:	mat
Bubble shape:	reflector
Energy efficiency class [A-G]:	<b>G</b>
Cooperation with a dimmer:	using the application Tuya
Light color change:	using the application Tuya
TECHNICAL DATA	
Power in the on-mode $P_{on}$ [W]:	4,8 W
Standby power $P_{sb}/P_{net}$ [W]:	<0,5 W
Rated voltage [V]:	220-240 V AC
Rated frequency [Hz]:	50-60 Hz
Color of the light:	RGB+CCT
Color temperature [K]:	2700 - 6500K
Color rendering index CRI:	80
Useful luminous flux [lm]:	400 lm
Luminous efficiency [lm/W]:	83,33 lm/W
Light distribution angle [°]:	120 °
Rated life [h]:	20000 h
Number of cycles on/off:	15000
On-mode energy consumption [kWh/1000h]:	5kWh/1000h
Declaration of power equivalency [W]:	40 W
Mercury content:	no
Environmental conditions:	-20...40 °C
LOGISTIC DATA	
Collective packaging [pcs.]:	100 pcs.
Weight [g]:	25 g



CE RoHS

The presented photos are for illustration only and may slightly differ from reality. The appearance may depend, among others monitor settings or printing technology. The data presented in this document are not legally binding and are subject to change. The given results were obtained when examining a specific specimen. Elhurt Plus S.A., Osieczany 585, 32-400 Myślenice, Poland, edo@edo-solutions.com