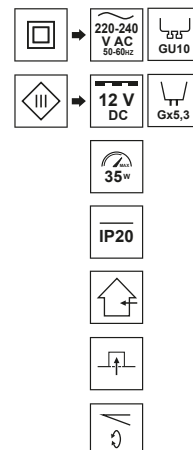


# TULID SQ Black

edo®

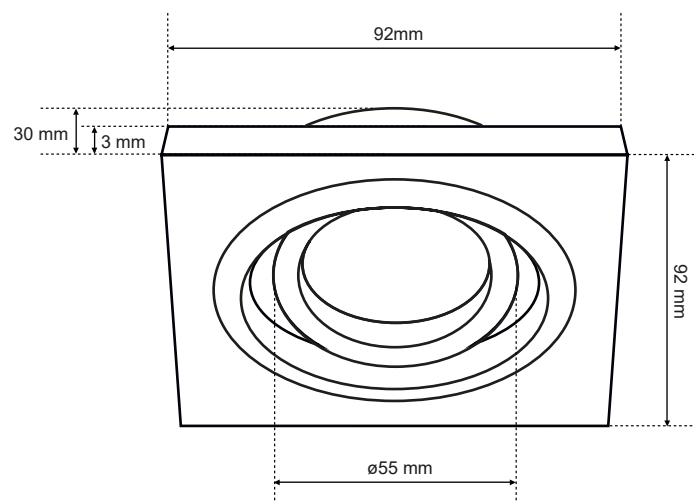
EDO777326



## Decorative ring of the lighting TULID SQ Black

TULID recessed luminaires are universal and minimalist- they are round and square luminaires with a white and black finish. An adjustable, recessed ring makes it possible to adjust the angle of incidence of light, as well as precise lighting and highlighting the details of the room arrangement. By adjusting the appropriate number of eyelets, the location and power of the light source, it can also be used as the main lighting.

SPECIFICATIONS	EDO777326
Application:	inside
Type of assembly:	recessed into the ceiling
Installation site:	ceiling
Colour:	black
Type of finish:	sandblasted
Material:	aluminium
Dimensions:	
-width [mm]:	92mm
-length [mm]:	92mm
-ring diameter [mm]:	ø55mm
-height [mm]:	3mm
-overall height [mm]:	30mm
-mounting hole [mm]:	ø80mm
Adjustable:	yes
Shutter:	-
Socket included:	no
Socket type:	GU10/ Gx3,5
Number of slots:	1
Light source included:	no
<b>TECHNICAL DATA</b>	
Maximum power [W]:	35W
Rated voltage [V]:	220-240 V AC/ 12 V DC
Rated frequency [Hz]:	50-60 Hz
IP:	IP20
Protection class:	II/III
Mercury content:	no
Environmental conditions [°C]:	-20...50°C
The minimum distance from illuminated object [m]:	0,5m
<b>LOGISTIC DATA</b>	
Collective packaging [pc.]:	100pc
Weight [g]:	106g
Weight with packaging [g]:	129g



EAN:

