

OSMIN RIM 2 White Black



EDO777145



Lighting fixture OSMIN RIM 2 White Black

The OSMIN RIM surface-mounted spot lamp is a younger sibling from the OSMIN family. Their difference is that OSMIN RIM has the option to buy a different color of the ring so that the customer can match the setting to the interior design. It is a downlight ceiling luminaire, which means that it provides directional lighting directed downwards, and thanks to 45/65-degree adjustment, it allows you to illuminate the selected place and create a fascinating atmosphere. It comes in single and double combinations in black and silver and white and black. It is a fusion of minimalism with modernity.

SPECIFICATIONS EDO777145

Application:	inside
Type of assembly:	surface-mounted
Installation site:	ceiling
Connection type:	screw cube
Colour:	white, ring-silver
Type of finish:	sandblasted
Material:	aluminium
Dimensions:	
-width [mm]:	142mm
-length [mm]:	250mm
-ring diameter [mm]:	ø55mm, ø70mm
-height [mm]:	88mm
-mounting bolt distance [mm]:	-
Adjustable:	yes
Shutter:	-
Socket included:	yes
Socket type:	GU10
Number of slots:	2
Light source included:	no

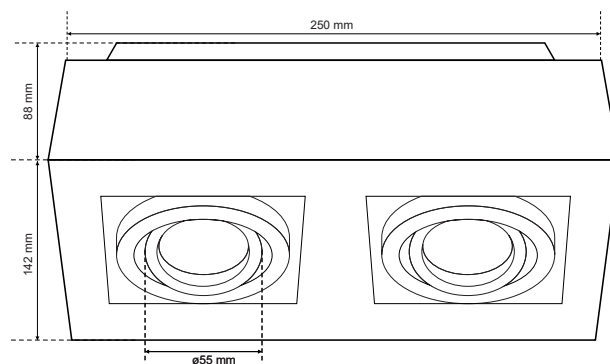
TECHNICAL DATA

Maximum power [W]:	2x35W
Rated voltage [V]:	220-240 V AC
Rated frequency [Hz]:	50-60 Hz
IP:	IP20
Protection class:	I
Mercury content:	no
Environmental conditions [°C]:	-20...50 °C
The minimum distance from illuminated object [m]:	0,5m

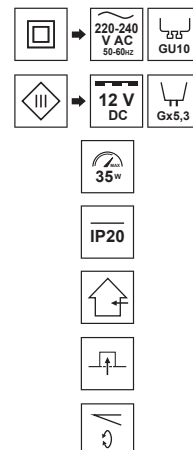
LOGISTIC DATA

Collective packaging [pc.]:	10pc.
Weight [kg]:	-
Weight with packaging [kg]:	-

EAN:



OSMIN RING



Decorative ring OSMIN RING

OSMIN RIM rings are used to enable the customer to personalize his ceiling lamp according to his needs.

SPECIFICATIONS

Application:	inside
Type of assembly:	OSMIN RIM/ recessed into the ceiling
Installation site:	ceiling
Colour:	black
Type of finish:	sandblasted
Material:	aluminium
Dimensions:	
-width [mm]:	ø74mm
-length [mm]:	-
-ring diameter [mm]:	ø55mm
-height [mm]:	2mm
-overall height [mm]:	23mm
-mounting hole [mm]:	ø65/70mm
Adjustable:	yes
Shutter:	-
Socket included:	no
Socket type:	GU10/ Gx3,5
Number of slots:	1
Light source included:	no

TECHNICAL DATA

Maximum power [W]:	35W
Rated voltage [V]:	220-240 V AC / 12 V DC
Rated frequency [Hz]:	50-60 Hz
IP:	IP20
Protection class:	II/III
Mercury content:	no
Environmental conditions [°C]:	-20...50°C
The minimum distance from illuminated object [m]:	0,5m

