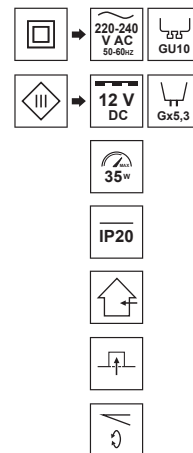


SKAND 1 MINI Black



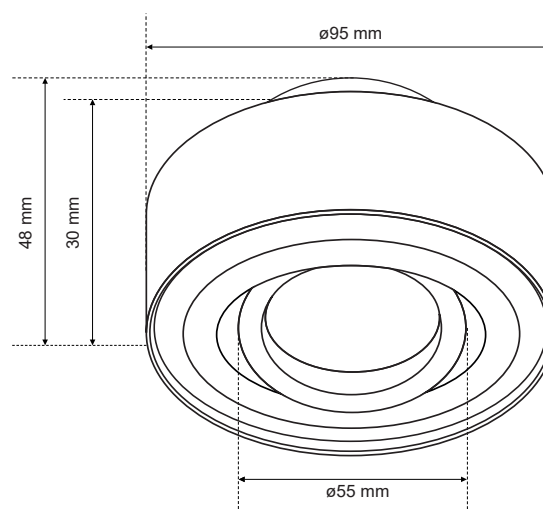
EDO777127



Decorative ring of the lighting SKAND 1 MINI Black

SKAND lighting fixtures are stylish and modern lamps made with rounded shapes. Due to their modern look, the luminaires can be used in domestic and commercial interiors such as shopping malls, shops, offices and offices. The SKAND luminaires offer customers can choose from three variants: single, double and triple. In two timeless colors, white and black, which allows for a wide selection of interior fittings.

SPECIFICATIONS	EDO777127
Application:	inside
Type of assembly:	flush-mounted
Installation site:	ceiling
Colour:	black
Type of finish:	sandblasted
Material:	aluminium
Dimensions:	
-width [mm]:	ø95mm
-length [mm]:	-
-ring diameter [mm]:	ø55mm
-height [mm]:	30mm
-overall height [mm]:	48mm
-mounting hole [mm]:	ø70mm
Adjustable:	yes
Shutter:	-
Socket included:	no
Socket type:	GU10/ Gx3,5
Number of slots:	1
Light source included:	no
TECHNICAL DATA	
Maximum power [W]:	35W
Rated voltage [V]:	220-240 V AC/ 12 V DC
Rated frequency [Hz]:	50-60 Hz
IP:	IP20
Protection class:	II/III
Mercury content:	no
Environmental conditions [°C]:	-20...50°C
The minimum distance from illuminated object [m]:	0,5m
LOGISTIC DATA	
Collective packaging [pc.]:	100pc
Weight [g]:	133g
Weight with packaging [g]:	164g



EAN:

